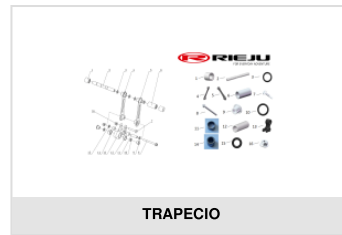


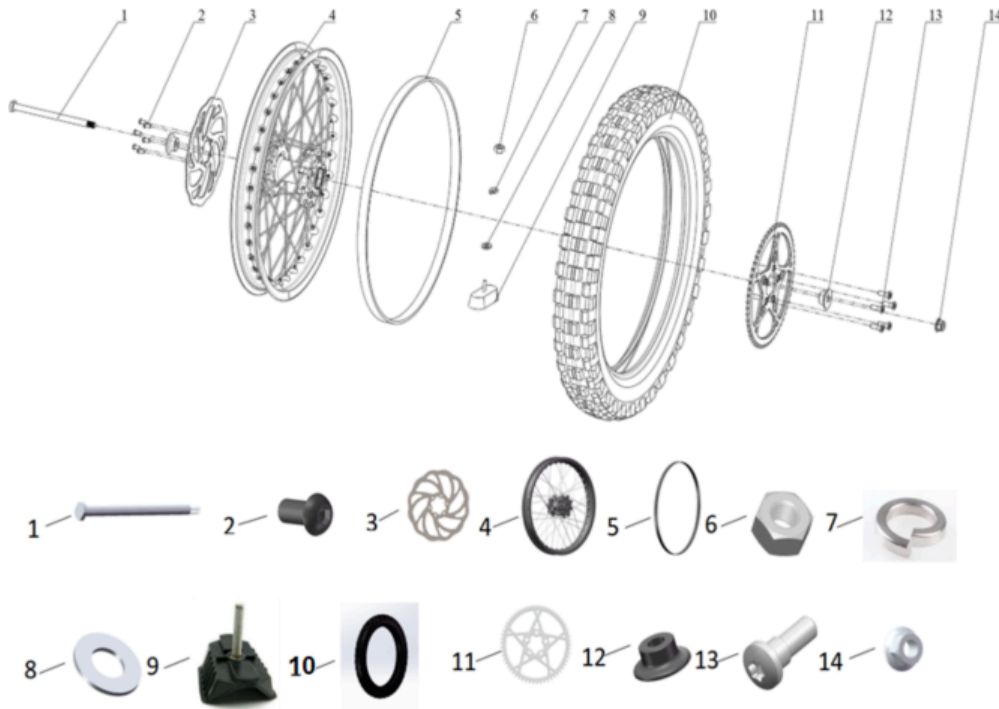


# E-Tango - Homologada VERDE 2024

## Exploded



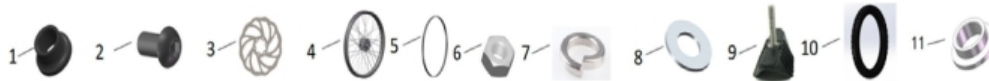
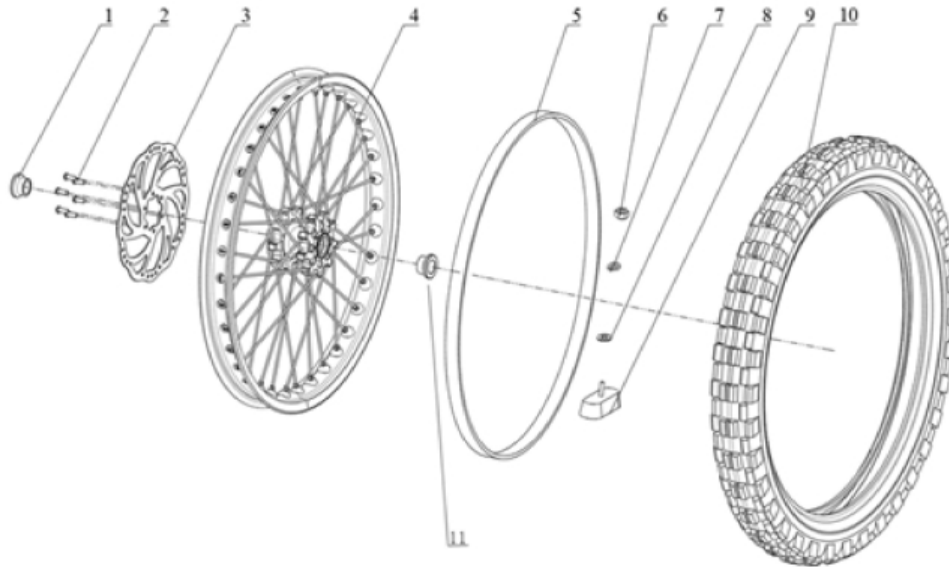
**RUEDA POSTERIOR**



1	<p><b>REAR WHEEL AXLE</b> 0/000.190.8501 (u. 1)</p>
2	<p><b>SCREW M6x12 10.9 BLACK</b> 0/000.460.8501 (u. 6)</p>
3	<p><b>REAR DISC BRAKE Ø210</b> 0/001.090.8501 (u. 1)</p>
4	<p><b>REAR WHEEL 18"</b> 0/000.230.8501 (u. 1) - <i>Enduro Version</i></p> <p><b>REAR WHEEL 17"</b> 0/000.230.8503 (u. 1) - <i>SM Version</i></p>
5	<p><b>WHEEL PROTECTOR 17"</b> 0/000.220.8503 (u. 1) - <i>SM Version</i></p> <p><b>18" RIM PROTECTOR</b> 0/000.220.8501 (u. 1) - <i>Enduro Version</i></p>
6	<p><b>NUT DIN 934 M8 A2 STAINLESS STEEL</b> 0/000.340.8000 (u. 1)</p>
7	<p><b>GROWER WASHER DIN 127/B M8 Cal.A2 STAINLESS STEEL</b> 0/000.440.0210 (u. 1)</p>
8	<p><b>FLAT WASHER DIN 125/A M8 Z/WHITE</b> 0/000.440.0160 (u. 1)</p>
9	<p><b>REAR WHEEL BRAKE</b> 0/000.220.8502 (u. 1)</p>
10	<p><b>COVER 90/100-18 + TUBE WITH PROTECTOR</b> 0/000.510.8501 (u. 1) - <i>Enduro version</i></p> <p><b>CUBIERTA ENDURO 90/100-18 + CAMARA</b> 0/000.510.8505 (u. 1)</p> <p><b>TIRE COVER SM 100/80-17 + TUBE</b> 0/000.510.8504 (u. 1) - <i>SM Version</i></p>

<b>10A</b>	REAR TIRE TUBE E-TANGO 18" 0/000.520.8502 (u. 1) - <i>Only inner tube Enduro version</i>
	REAR TUBE E-TANGO SM 17" 0/000.520.8504 (u. 1) - <i>Only inner tube for SM</i>
<b>11</b>	SPROCKET 0/000.500.8501 (u. 1)
<b>12</b>	WHEEL SPACER 0/000.480.8501 (u. 2)
<b>13</b>	SCREW M8x25 PLATE FIXATION 0/000.460.8502 (u. 5)
<b>14</b>	METAL SELF-LOCKING NUT M12x1.25 0/000.340.8501 (u. 1)

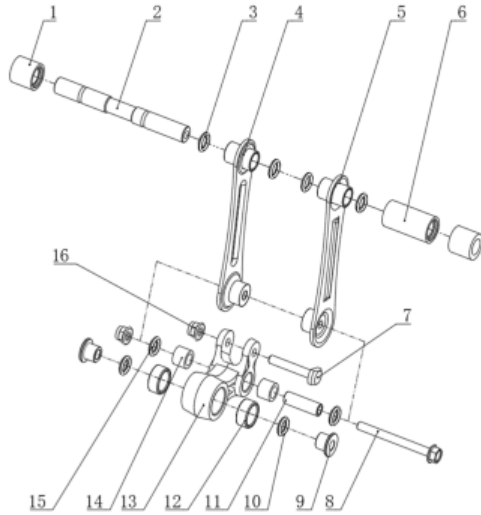
**RUEDA DELANTERA**



1	<p><b>FRONT WHEEL SPACER</b> 0/000.480.8502 (u. 2)</p>
2	<p><b>SCREW M6x12 10.9 BLACK</b> 0/000.460.8501 (u. 6)</p>
3	<p><b>REAR DISC BRAKE Ø210</b> 0/001.090.8501 (u. 1)</p>
4	<p><b>FRONT WHEEL 17"</b> 0/000.230.8504 (u. 1) - <i>SM Version</i></p>
	<p><b>FRONT WHEEL 19"</b> 0/000.230.8502 (u. 1) - <i>Enduro version</i></p>
5	<p><b>WHEEL PROTECTOR 17"</b> 0/000.220.8503 (u. 1) - <i>SM Version</i></p>
	<p><b>WHEEL PROTECTOR 19"</b> 0/000.220.8504 (u. 1) - <i>Enduro version</i></p>
6	<p><b>NUT DIN 934 M8 A2 STAINLESS STEEL</b> 0/000.340.8000 (u. 1)</p>
7	<p><b>GROWER WASHER DIN 127/B M8 Cal.A2 STAINLESS STEEL</b> 0/000.440.0210 (u. 1)</p>
8	<p><b>FLAT WASHER DIN 125/A M8 Z/WHITE</b> 0/000.440.0160 (u. 1)</p>
9	<p><b>FRONT WHEEL BRAKE</b> 0/000.220.8505 (u. 1)</p>
10	<p><b>COVER 19 + TUBE</b> 0/000.510.8503 (u. 1) - <i>Enduro version</i></p>
	<p><b>TIRE SM 80/90-17 + TUBE AND PROTECTOR</b> 0/000.510.8502 (u. 1) - <i>SM Version</i></p>
	<p><b>Tire &amp; Inner Tube (Include Tape)</b> 0/000.510.8506 (u. 1)</p>

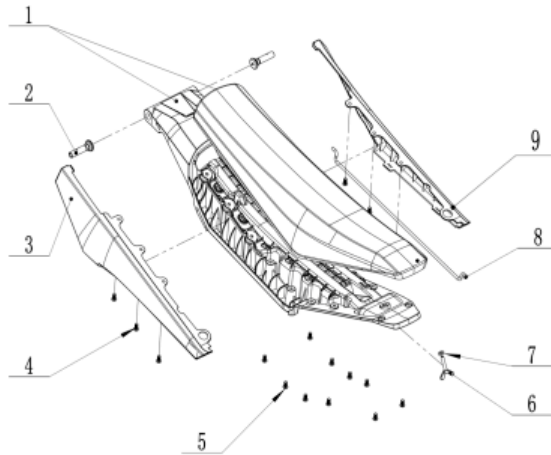
<b>10A</b>	FRONT TUBE E-TANGO SM 17" 0/000.520.8503 (u. 1) - <i>Inner tube for SM</i>
	FRONT TIRE TUBE E-TANGO 19" 0/000.520.8501 (u. 1) - <i>Inner tube for Enduro version</i>
<b>11</b>	SEPARATOR Ø20xØ35x11 0/000.480.8511 (u. 1)

**TRAPECIO**



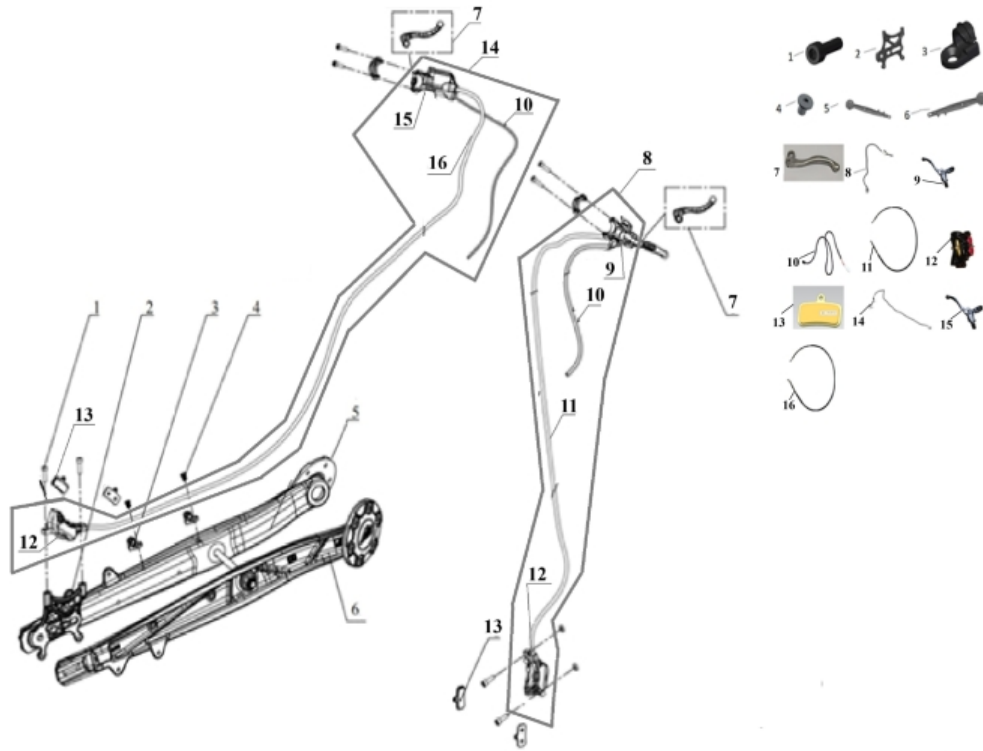
1	EXTERNAL LINKAGE NYLON SPACER 0/000.480.8505 (u. 2)
2	SPACER LINKAGE 14x150mm 0/000.480.8504 (u. 1)
3	O-RING 0/000.490.8501 (u. 4)
4	LINKAGE LH 0/000.770.8502 (u. 1)
5	RH LINKAGE 0/000.770.8501 (u. 1)
6	NYLON LINKAGE INNER SPACER 0/000.480.8506 (u. 1)
7	TRAPEZOID SCREW M8x1.25x50 0/000.460.8506 (u. 1)
8	SCREW M8x1.25x85 0/000.460.8507 (u. 1)
9	TRAPEZOID SEPARATOR 0/000.480.8507 (u. 2)
10	O-RING 0/000.490.8502 (u. 2)
11	INNER TRAPEZOID SEPARATOR 0/000.480.8512 (u. 1)
12	TRAPEZOID BEARING 0/000.960.8503 (u. 2)
13	TRAPEZOID SUPPORT 0/000.980.8505 (u. 1)
14	Bearing 0/000.960.8504 (u. 1)
15	O-RING 0/000.490.8503 (u. 2)
16	TRAPEZOIDAL SHOCK ABSORBER NUT M8 0/000.340.8506 (u. 2)

**ASIENTO**



<b>1</b>	<p>GREEN SEAT E-TANGO 0/000.040.8502 (u. 1)</p> <p>BLACK SEAT E-TANGO 0/000.040.8501 (u. 1)</p>
<b>2</b>	<p>SEAT OPENING PIN 0/000.190.8504 (u. 2)</p>
<b>3</b>	<p>LEFT HAND SIDE SEAT PLATE BLACK 0/000.570.8504 (u. 1)</p>
<b>4</b>	<p>TORNILLO PLASTICA SILLIN M6x18 0/000.460.8532 (u. 6)</p>
<b>5</b>	<p>TORNILLO BASE SILLIN M6x10 0/000.460.8533 (u. 10)</p>
<b>6</b>	<p>BUTTERFLY SCREW M6x25 0/000.460.8516 (u. 1)</p>
<b>7</b>	<p>FLAT WASHER DIN 125/A M6 Z/WHITE 0/000.440.0131 (u. 1)</p>
<b>8</b>	<p>SEAT SUPPORT BAR 0/000.980.8520 (u. 1)</p>
<b>9</b>	<p>RH BLACK SEAT SIDE PANEL 0/000.570.8503 (u. 1)</p>

**FRENO**

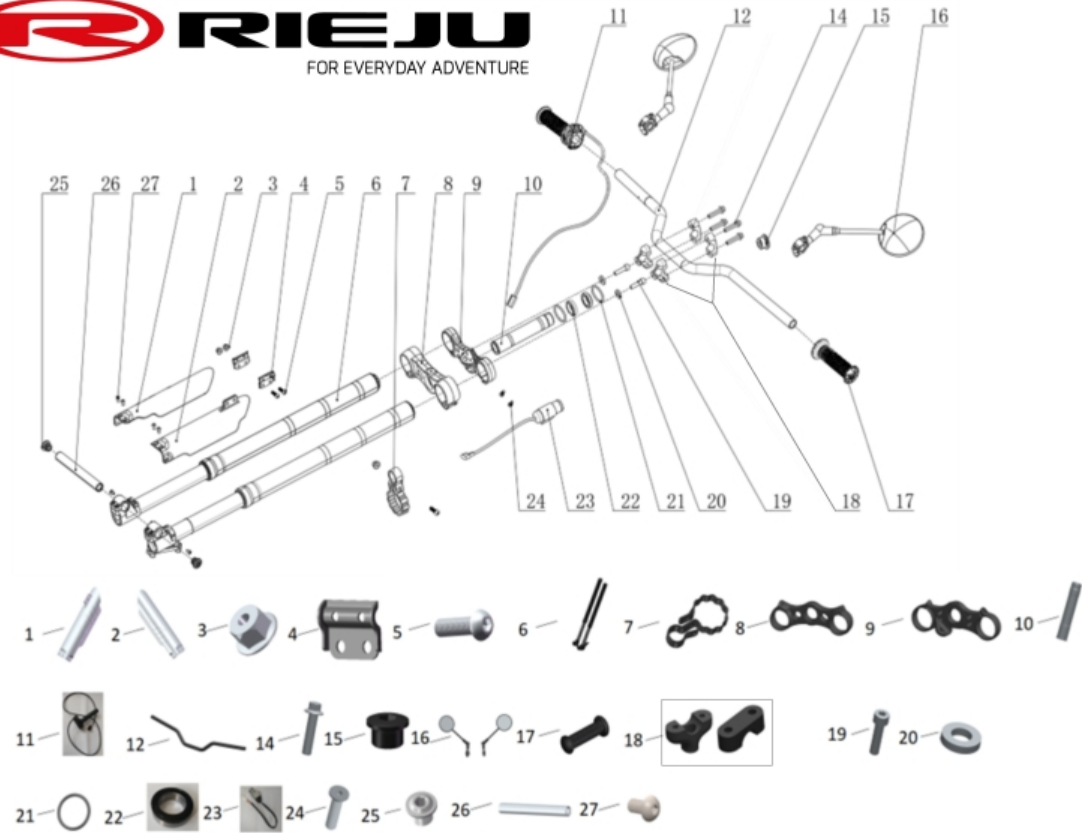


1	REAR CALIPER BRACKET SCREW 0/000.460.8517 (u. 2)
2	REAR CALIPER BRACKET 0/000.980.8506 (u. 1)
3	CABLE CLIP 0/000.680.8501 (u. 2)
4	COUNTERSUNK ALLEN SCREW M6x10 0/000.460.8518 (u. 2)
5	BRAZO BASCULANTE LH 0/000.020.8504 (u. 1)
6	SWINGARM RH 0/000.020.8501 (u. 1)
7	BRAKE LEVER RH / LH 0/000.830.8201 (u. 2)
8	FRONT BRAKING SET 0/000.820.8502 (u. 1)
9	FRONT BRAKE PUMP 0/000.860.8502 (u. 1)
10	BRAKE SWITCH AND CABLE 0/000.160.8505 (u. 1)
11	PUMP TO CALIPPER HOSE (FRONT) 0/000.290.8502 (u. 1)
12	FRONT BRAKE CALIPER 0/000.860.8503 (u. 1)
13	BRAKE PAD KIT (2 PCS) 0/K00.930.8501 (u. 2)
14	REAR BRAKING ASSEMBLY 0/000.820.8501 (u. 1)
15	BOMBA FRENO TRASERO 0/000.860.8501 (u. 1)

16

REAR BRAKE HOSE  
0/000.290.8501 (u. 1)

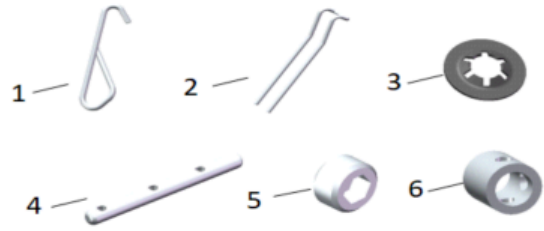
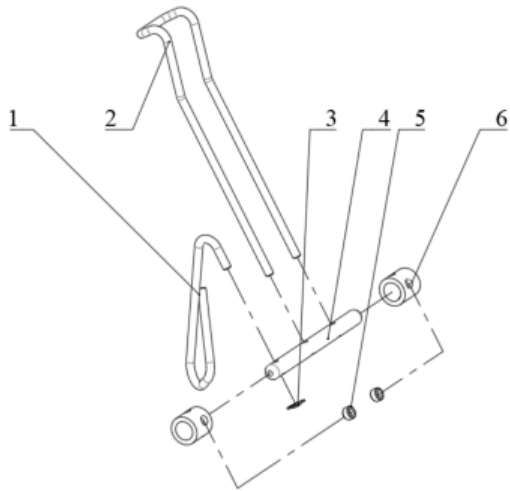
**MANILLAR Y HORQUILLA**



1	RH FORK PROTECTOR 0/000.220.8507 (u. 1)
2	LEFT FORK PROTECTOR 0/000.220.8508 (u. 1)
3	NUT DIN 6926 M6 GRADE 8 Z/WHITE 0/000.340.0170 (u. 1)
4	LOWER CABLE GUIDE SUPPORT FORK 0/000.980.8507 (u. 2)
5	SCREW ISO 7380 ALLEN M6x20 CAL.10.9 Z/WHITE 0/000.460.9008 (u. 1)
6	FORK 0/000.130.8501 (u. 1)
7	UPPER CABLE PASS SUPPORT FORK 0/000.980.8508 (u. 1)
8	PLATINA INFERIOR V2 0/000.660.8503 (u. 1)
9	UPPER PLATE 0/000.660.8501 (u. 1)
10	EJE DIRECCION 0/000.190.8505 (u. 1)
11	THROTTLE GRIP 0/000.530.8501 (u. 1)
12	HANDLEBAR 0/000.170.8501 (u. 1)
14	HANDLEBAR CLAMP BOLT 0/000.460.8519 (u. 4)
15	UPPER STEERING SCREW 0/000.460.8520 (u. 1)
16	MIRROR KIT E-TANGO 0/000.990.8501 (u. 1) - <i>Mirror supports included</i>

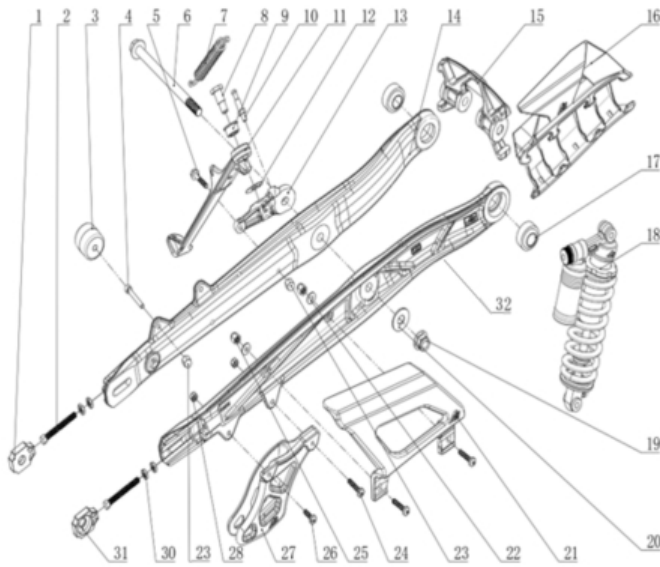
17	LEFT HAND RUBBER GRIP 0/000.530.8502 (u. 1)
18	UPPER / LOWER HANDLEBAR CLAMP 0/000.350.8201 (u. 2)
19	LOWER HANDLEBAR CLAMP BOLT 0/000.460.8521 (u. 2)
20	SPACER Ø20x10.5 0/000.480.8508 (u. 2)
21	O-RING 38x4 0/000.490.8504 (u. 2)
22	STEERING BEARING 0/000.960.8501 (u. 2)
23	MAIN IGNITION SWITCH 0/001.060.8501 (u. 1)
24	SCREW M5x16 0/000.460.8522 (u. 2)
25	FRONT AXLE SCREW M16x1.5x18 0/000.460.8508 (u. 2)
26	FRONT WHEEL AXLE 0/000.190.8507 (u. 1)
27	SCREW ISO 7380 Allen M5x10 Cal.10.9 WHITE ZINC PLATED 0/000.460.2000 (u. 1)

**SUJECCION BATERIA**



1	<b>BATTERY LOCKING SPRING</b> 0/000.470.8503 (u. 1)
2	<b>UPPER BATTERY BRACKET</b> 0/000.980.8521 (u. 1)
3	<b>WASHER UPPER SUPPORT BATTERY</b> 0/000.440.8506 (u. 1)
4	<b>BATTERY LOCK SUPPORT SHAFT</b> 0/000.190.8506 (u. 1)
5	<b>UPPER BATTERY SUPPORT SCREW</b> 0/000.460.8529 (u. 2)
6	<b>Torsional spring bushing</b> 0/000.480.8513 (u. 2)

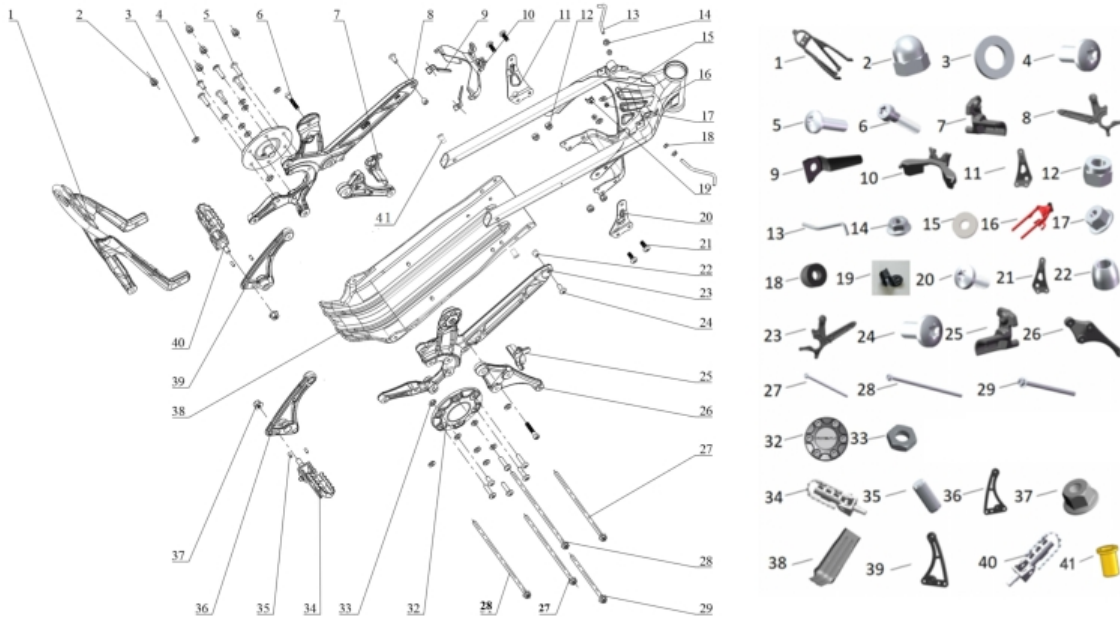
**BRAZO OSCILANTE**



1	CHAIN TENSIONER LH 0/000.380.8502 (u. 1)
2	CHAIN TENSIONER BOLT M8x60 0/000.460.8509 (u. 2)
3	RUBBER STOP STAND 0/000.360.8503 (u. 1)
4	ALLEN SCREW ISO 4762 - M6x25 0/000.460.0311 (u. 1)
5	HEXAGONAL SCREW WITH WASHER M6x28 0/000.460.8523 (u. 1)
6	LINKAGE SHAFT / SWINGARM 0/000.190.8503 (u. 1)
7	DOUBLE KICKSTAND SPRING 0/000.470.8502 (u. 1)
8	SIDE STAND BOLT 0/000.460.8510 (u. 1)
9	SIDE STAND SPACER 0/000.480.8509 (u. 1)
10	STAND SPRING RETENTION SHAFT 0/000.190.8502 (u. 1)
11	SIDE STAND 0/000.210.8501 (u. 1)
12	FLAT WASHER KICKSTAND 0/000.440.8502 (u. 1)
13	KICKSTAND BRACKET 0/000.980.8509 (u. 1)
14	BRAZO BASCULANTE LH 0/000.020.8502 (u. 1)
15	SWINGARM REINFORCEMENT BRACKET 0/000.980.8510 (u. 1)
16	CHAIN PROTECTOR / SLIDER 0/000.220.8509 (u. 1)

17	SWINGARM BEARING 0/000.960.8502 (u. 2)
18	SHOCK ABSORBER 0/000.180.8501 (u. 1)
19	METAL SELF-LOCKING NUT M12x1.25 0/000.340.8501 (u. 1)
20	SWINGARM WASHER 0/000.440.8503 (u. 2)
21	CHAIN GUARD 0/000.220.8506 (u. 1)
22	FLAT WASHER DIN 125/A M6 Z/WHITE 0/000.440.0131 (u. 2)
23	TUERCA CIEGA M6 0/000.340.8508 (u. 2)
24	SCREW M6x30 0/000.460.8524 (u. 1)
25	BLIND NUT M6 0/000.340.8507 (u. 2)
26	Screw M6x20 0/000.460.8525 (u. 1)
27	CHAIN GUIDE 0/000.360.8504 (u. 1)
28	SELF-LOCKING NUT M6 0/000.340.8504 (u. 2)
30	CHAIN TENSIONER NUT M8x1.25 0/000.340.8505 (u. 4)
31	CHAIN TENSIONER RH 0/000.380.8501 (u. 1)
32	BRAZO BASCULANT RH 0/000.020.8503 (u. 1)

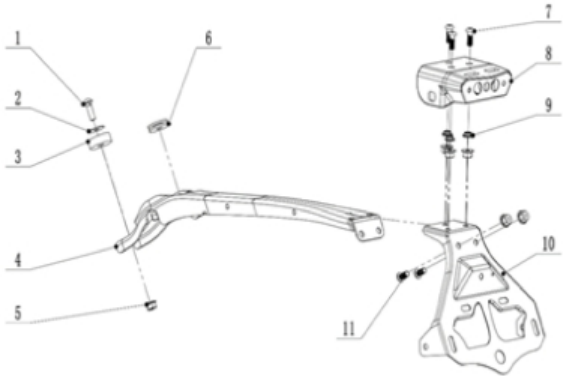
**CHASIS**



1	SUBCHASSIS E-TANGO 0/000.010.8502 (u. 1)
2	BLIND NUT M8 0/000.340.8509 (u. 5)
3	FLAT WASHER DIN 125/A M8 Z/WHITE 0/000.440.0160 (u. 14)
4	SCREW M8x16 0/000.460.8526 (u. 2)
5	SCREW M8x30 0/000.460.8527 (u. 10)
6	SCREW M8x40 0/000.460.8528 (u. 2)
7	BATTERY BRACKET LH 0/000.980.8512 (u. 1)
8	LEFT-HAND CHASSIS BRACKET 0/000.980.8516 (u. 1)
9	BATTERY STOP RUBBER SUPPORT 0/000.980.8517 (u. 2)
10	BATTERY STOP RUBBER 0/000.360.8505 (u. 1)
11	CHASSIS REINFORCEMENT LH 0/000.980.8519 (u. 1)
12	NUT DIN 985 M8 GRADE 8 ZINC/WHITE 0/000.340.0181 (u. 4)
13	SOPORTE TAPA DEL. LATERAL 0/000.980.8524 (u. 2)
14	NUT DIN 6923 M6 Cal.6 Z/WHITE 0/000.340.0016 (u. 2)
15	FLAT WASHER M6 0/000.440.8504 (u. 2)
16	CHASSIS E-TANGO 0/000.010.8501 (u. 1)
17	NUT DIN 6926 M6 GRADE 8 Z/WHITE 0/000.340.0170 (u. 2)

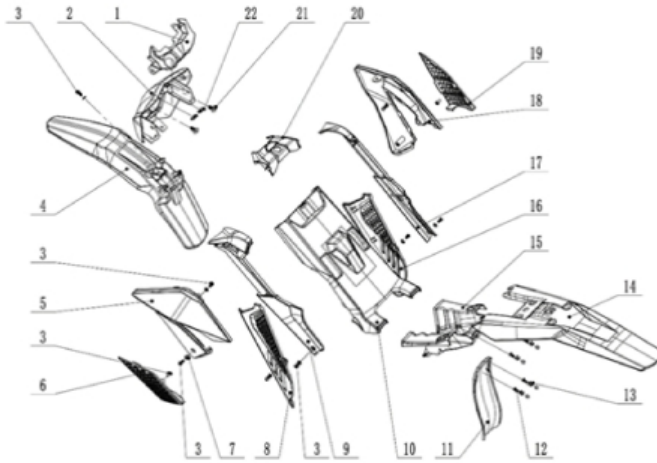
18	PLASTIC WASHER 0/000.440.8505 (u. 2)
19	CABLE CLIP 0/000.680.8501 (u. 1)
20	CHASSIS REINFORCEMENT RH 0/000.980.8518 (u. 1)
21	SCREW ISO 7380 Torx T-40 M8x25 STAINLESS STEEL 0/000.460.0081 (u. 4)
22	NUT CAP 0/000.410.8501 (u. 2)
23	RIGHT-HAND CHASSIS BRACKET 0/000.980.8515 (u. 1)
24	SCREW M8x18 10.9 0/000.460.8530 (u. 2)
25	BATTERY HOLDER RH 0/000.980.8511 (u. 1)
26	SHOCK ABSORBER SUPPORT 0/000.980.8523 (u. 2)
27	ENGINE SCREW M8x205 0/000.460.8511 (u. 2)
28	ENGINE BOLT M8x230 0/000.460.8512 (u. 2)
29	SCREW M8x135 0/000.460.8513 (u. 1)
32	SOPORTE CENTRADOR TORNILLOS MOTOR 0/000.980.8525 (u. 2)
33	CHAIN TENSIONER NUT M8x1.25 0/000.340.8505 (u. 2)
34	FOOTPEG RH 0/000.740.8501 (u. 1)
35	PASADOR CILINDRICO Ø5x12 0/000.840.8501 (u. 4)
36	RH FOOTREST SUPPORT 0/000.980.8513 (u. 1)
37	NUT M10 0/000.340.8510 (u. 2)
38	LOWER ENGINE GUARD 0/000.220.8512 (u. 1)
39	FOOTREST BRACKET LH 0/000.980.8514 (u. 1)
40	LEFT FOOTPEG 0/000.740.8502 (u. 1)
41	FOOTPEG SPACER 6x15 0/000.480.8514 (u. 2)

**SOPORTE MATRICULA**



1	bolt M6*35 0/000.460.8503 (u. 1)
2	Washer 0/000.440.8507 (u. 1)
3	SILENTBLOCK SOPORTE PORTAMATRICULAS V2 0/000.360.8506 (u. 1)
4	LICENSE PLATE HOLDER BRACKET 0/000.980.8501 (u. 1)
5	NUT DIN 6926 M6 GRADE 8 Z/WHITE 0/000.340.0170 (u. 1)
6	SILENTBLOCK RUBBER 0/000.360.8502 (u. 5)
7	CONICAL SCREW M6x16 0/000.460.8504 (u. 1)
8	REAR TAIL LIGHT BRACKET 0/000.980.8503 (u. 3)
9	SPACER 18x8x6 0/000.480.8503 (u. 3)
10	LICENSE PLATE HOLDER BRACKET 0/000.980.8502 (u. 1)
11	SCREW ISO 7380 Torx T-30 WITH WASHER M6x12 STAINLESS STEEL 0/000.460.0044 (u. 2)

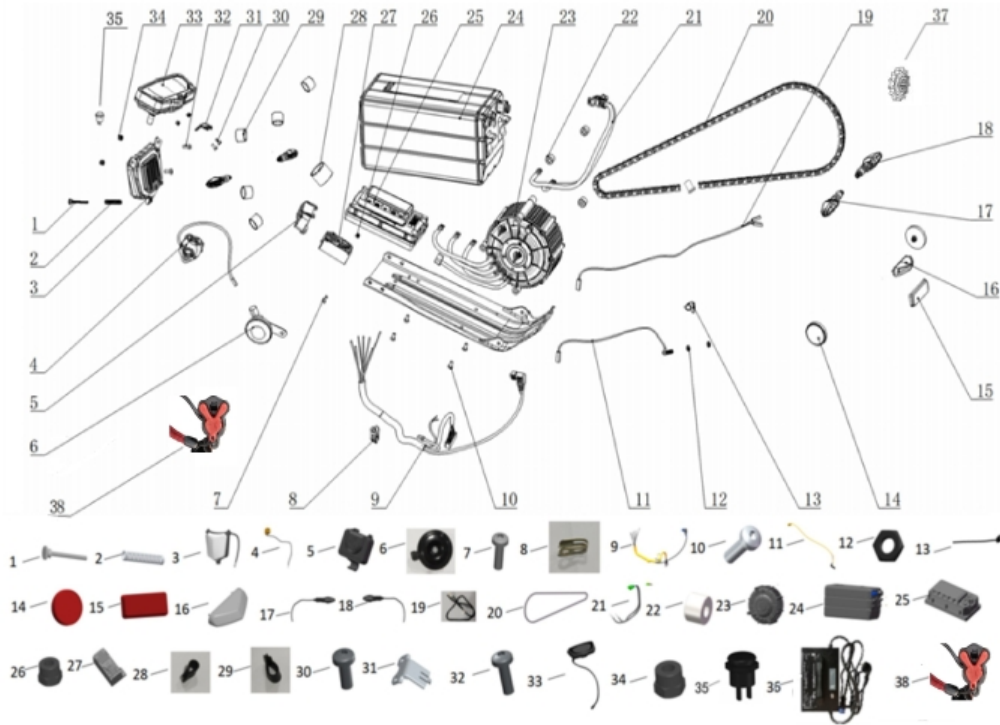
**PLASTICOS**



0	sticker E-MART-HOMO 0/000.390.8502 (u. 1)
1	UPPER FRONT HEADLIGHT TRIM 0/000.570.8501 (u. 1)
2	HEADLIGHT HOLDER BLACK E-TANGO 0/000.620.8501 (u. 1)
3	SCREW ISO 7380 Torx T-30 WITH WASHER M6x12 STAINLESS STEEL 0/000.460.0044 (u. 11)
4	FRONT FENDER GREEN 0/000.050.8501 (u. 1)
5	RADIATOR COVER LH BLACK 0/000.570.8506 (u. 1)
6	UPPER SIDE GRILLE LH 0/000.570.8508 (u. 1)
7	BLIND NUT M6 0/000.340.8507 (u. 6)
8	LOWER SIDE GRILLE LH 0/000.570.8510 (u. 1)
9	BATTERY LEFT SIDE PLATE 0/000.570.8512 (u. 1)
10	TOP BATTERY PLATE 0/000.570.8513 (u. 1)
11	WHEEL WELL PROTECTOR 0/000.220.8511 (u. 1)
12	CONICAL SCREW M6x16 0/000.460.8504 (u. 4)
13	FLAT WASHER DIN 125/A M6 Z/WHITE 0/000.440.0131 (u. 15)
14	REAR FENDER WHITE 0/000.060.8502 (u. 1)
15	TOOLBOX 0/000.570.8514 (u. 1)
16	LOWER SIDE GRILLE RH 0/000.570.8509 (u. 1)
17	BATTERY SIDE PLATE RH 0/000.570.8511 (u. 1)

<b>18</b>	RADIATOR COVER RH BLACK 0/000.570.8505 (u. 1)
<b>19</b>	UPPER SIDE GRILLE RH 0/000.570.8507 (u. 1)
<b>20</b>	FRONT CABLE COVER TRIM 0/000.570.8502 (u. 1)
<b>21</b>	TORNILLO TORX M5x12 0/000.460.8534 (u. 2)
<b>22</b>	QUICK NUT M6 0/000.340.8503 (u. 2)

**SISTEMA ELECTRICO**



1	FRONT HEADLIGHT ADJUSTMENT SCREW 0/000.460.8505 (u. 1)
2	HEADLIGHT ADJUSTER SPRING 0/000.470.8501 (u. 1)
3	FRONT HEADLIGHT E-TANGO 0/000.600.8501 (u. 1)
4	MODE SWITCH 0/000.720.8502 (u. 1)
5	DRIVING MODULE 0/005.705.8501 (u. 1)
6	CLAXON V2 0/000.420.8502 (u. 1)
7	SCREW ISO 7380 Torx T-25 with washer M5x16 STAINLESS STEEL 0/000.460.0083 (u. 1)
8	INSTALLATION CLIP 0/000.300.8501 (u. 1)
9	MAIN ELECTRICAL INSTALLATION 0/000.160.8501 (u. 1)
10	ISO 7380 TORX T-30 SCREW WITH WASHER M6x14 STAINLESS STEEL 0/000.460.3036 (u. 4)
11	KICKSTAND SENSOR 0/001.010.8501 (u. 1)
12	NUT M8 KICKSTAND SENSOR 0/000.340.8511 (u. 2)
13	SPEED SENSOR 0/001.010.8502 (u. 1)
14	REAR SIDE REFLECTOR 0/000.630.8501 (u. 2)
15	REAR REFLECTOR 0/000.630.8502 (u. 1)

16	REAR TAIL LIGHT E-TANGO 0/000.150.8501 (u. 1)
17	LEFT TURN SIGNAL LIGHT 0/000.150.8502 (u. 2)
18	RIGHT TURN SIGNAL LIGHT 0/000.150.8503 (u. 2)
19	LICENSE PLATE LIGHT INSTALLATION 0/000.160.8502 (u. 1)
20	CHAIN 134/420 0/001.050.8501 (u. 1)
21	DC INSTALLATION 0/000.160.8504 (u. 1)
22	ENGINE SPACER 0/000.480.8515 (u. 3)
23	E-TANGO ENGINE 0/005.082.8501 (u. 1)
24	BATTERY 74V 43Ah 0/000.900.8501 (u. 1)
25	ECU E-TANGO 0/005.705.8502 (u. 1)
26	TUERCA M5 AUTOBLOCANTE NYLON 0/000.340.8512 (u. 3)
27	DC CONVERTER 0/001.200.8501 (u. 1)
28	CABLE PASS-THROUGH CLIP 0/000.300.8502 (u. 1)
29	CABLE CLIP 0/000.300.8503 (u. 5)
30	TORNILLO TORX M5x12 0/000.460.8534 (u. 2)
31	DISPLAY SUPPORT 0/000.980.8504 (u. 1)
32	TORNILLO TORX M6x18 0/000.460.8535 (u. 2)
33	DISPLAY E-TANGO ENDURO HOMOLOGATED 0/001.000.8501 (u. 1)
	DISPLAY E-TANGO SM APPROVED 0/001.000.8502 (u. 1)
34	TUERCA M6 AUTOBLOCANTE NYLON 0/000.340.8513 (u. 2)
35	START BUTTON 0/000.720.8503 (u. 1)
36	CHARGER E-TANGO 0/000.901.8501 (u. 1)
37	SPROCKET T11-420 0/005.400.8501 (u. 1)
38	SAFETY SWITCH "MAN OVERBOARD" E-TANGO 0/000.720.8504 (u. 1)